

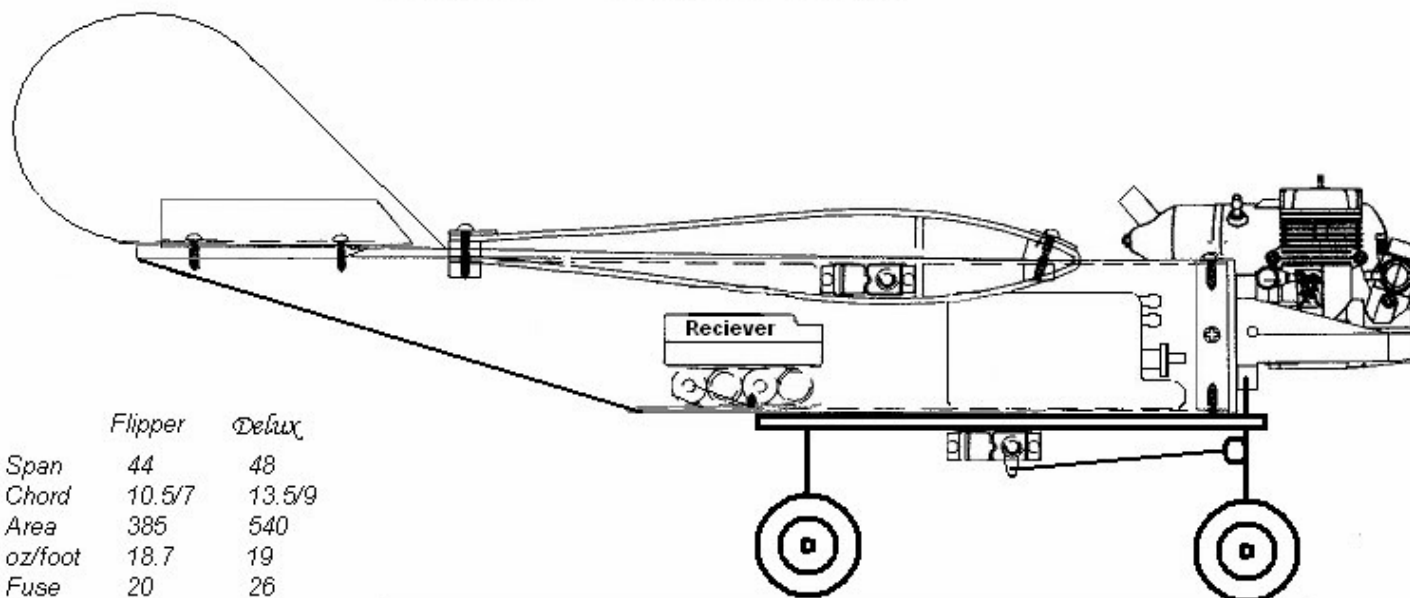
Flipper and Flipper Deluxe



See the [Flipper Deluxe](http://www.spadworld.net) thread at www.spadworld.net

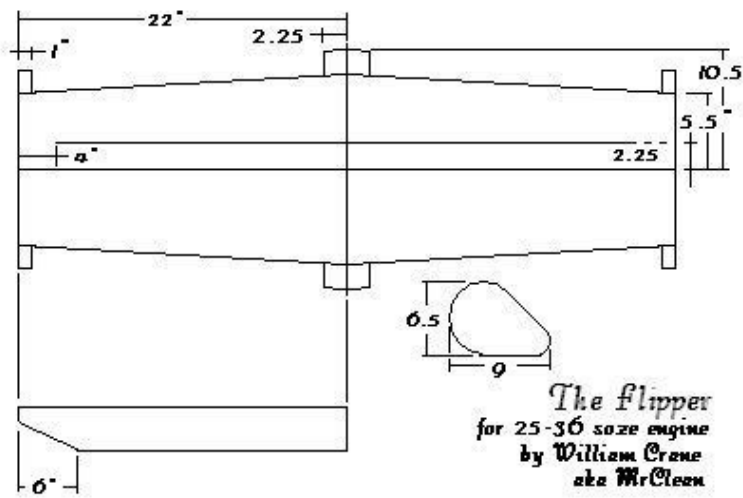
Concept

Flipper + Flipper Delux



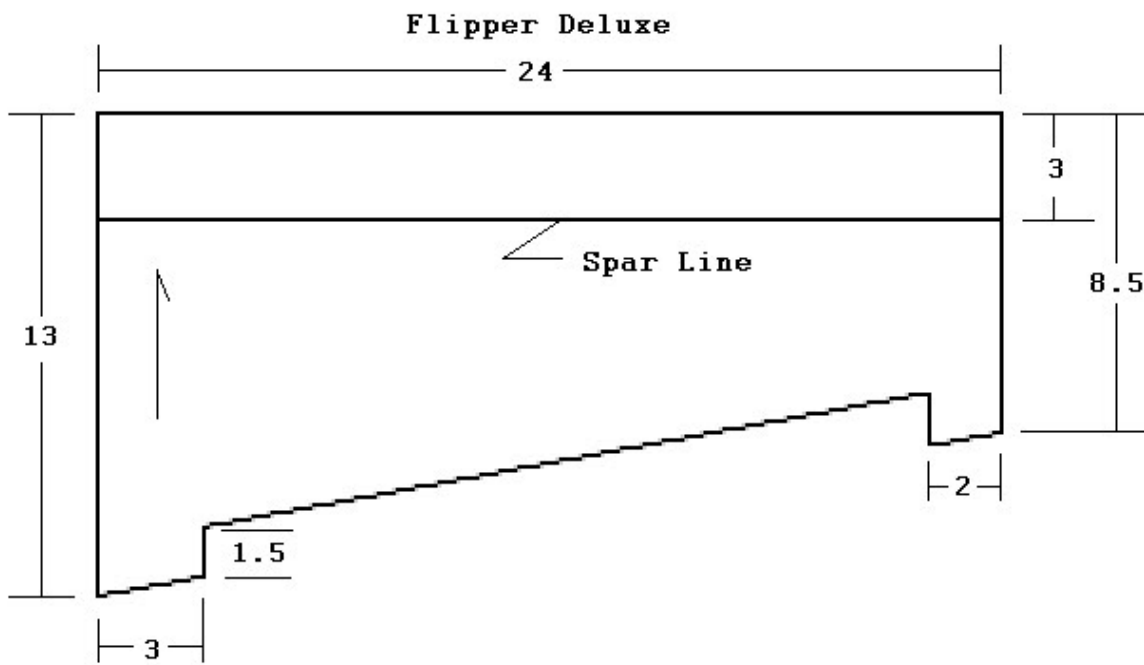
	<i>Flipper</i>	<i>Delux</i>
Span	44	48
Chord	10.5/7	13.5/9
Area	385	540
oz/foot	18.7	19
Fuse	20	26
Engine	25	47
Weight	50	72

Flipper Wing and Vertical



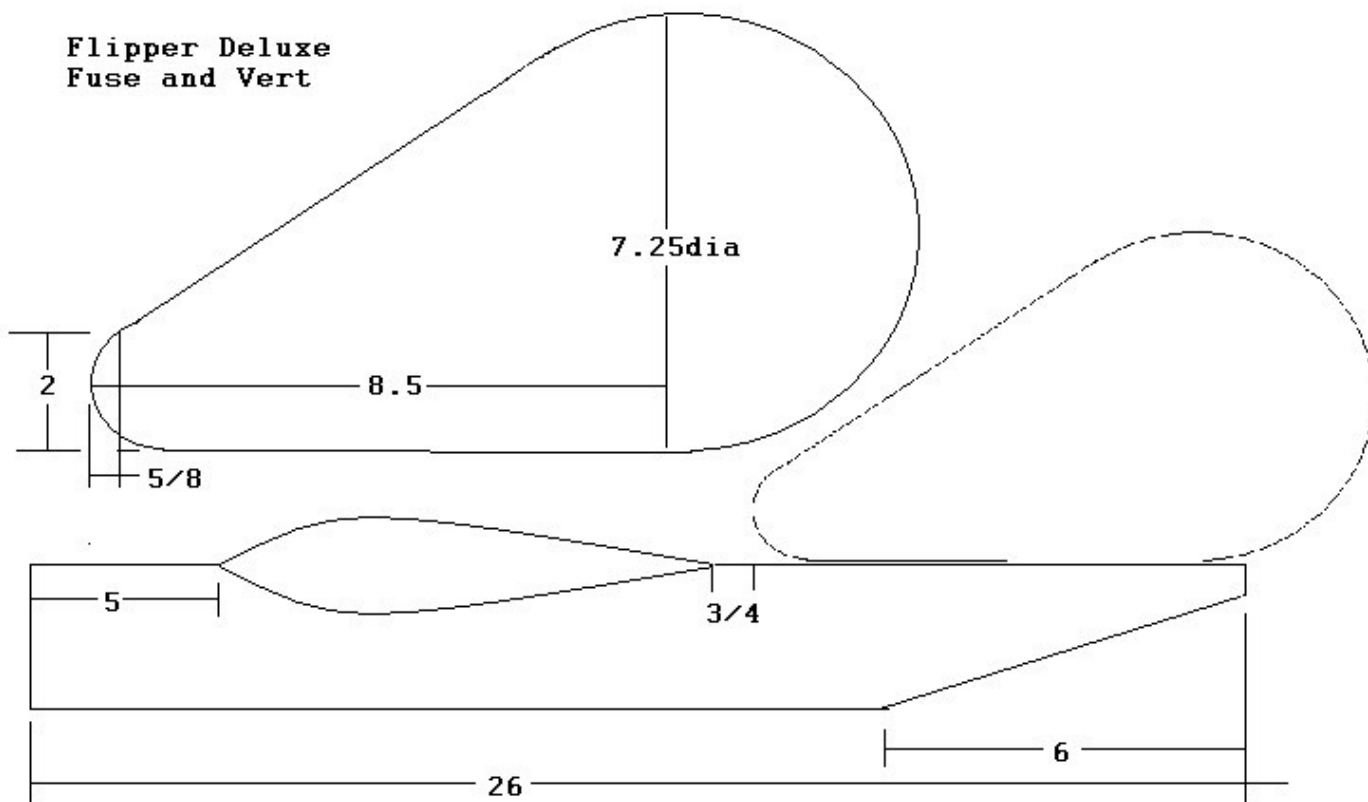
spadworld.net

Flipper Deluxe Wing



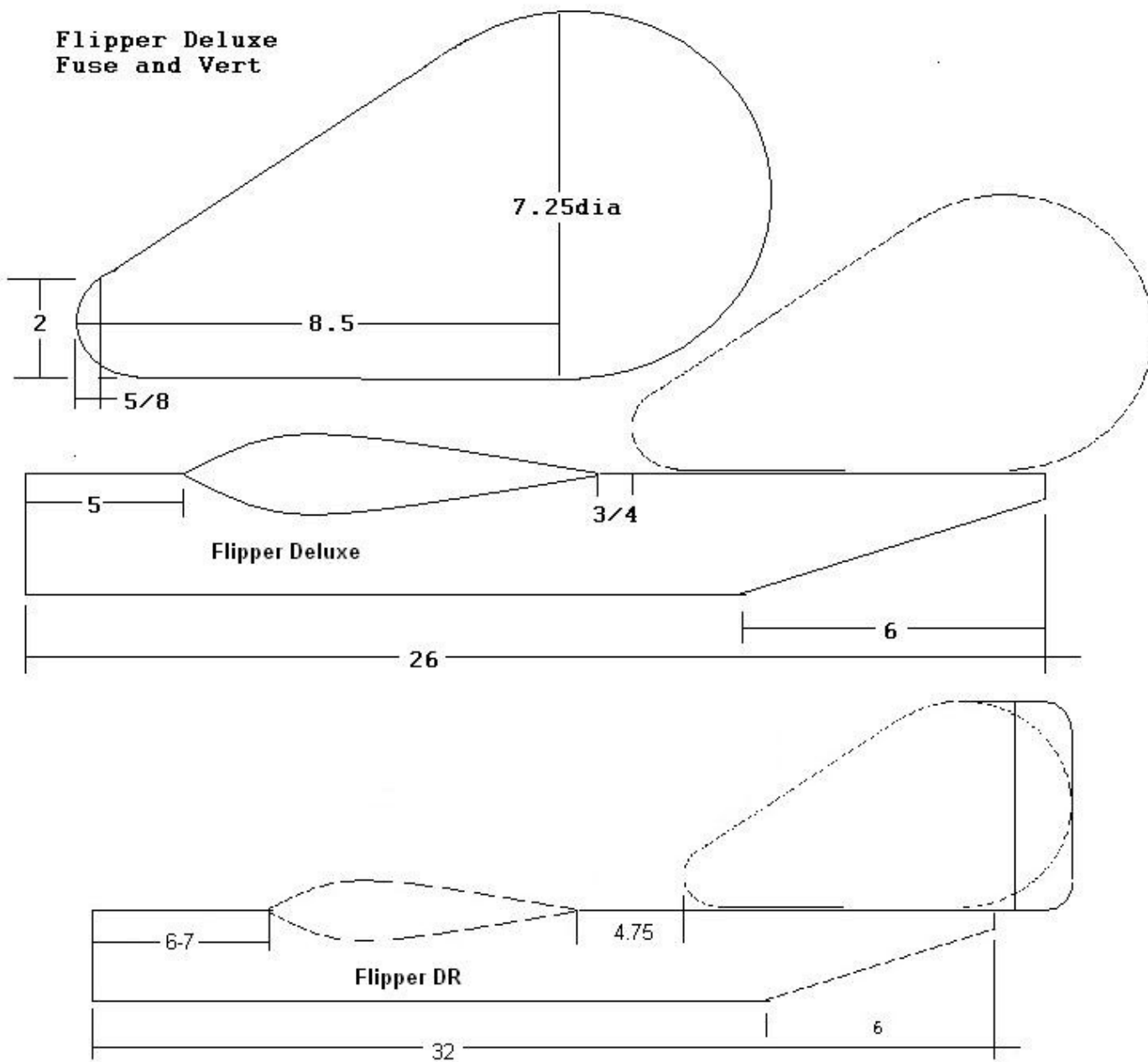
Flipper Deluxe Fuse and Vertical

**Flipper Deluxe
Fuse and Vert**



Flipper Deluxe Fuse and Vertical with Rudder

**Flipper Deluxe
Fuse and Vert**



[\[S.P.A.D.\]](#) [\[Spad Index\]](#)